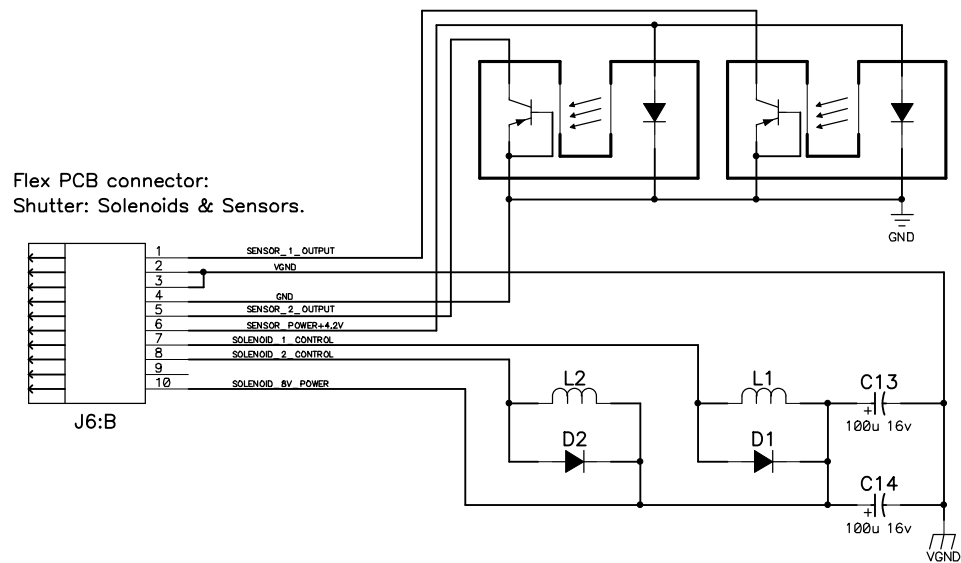
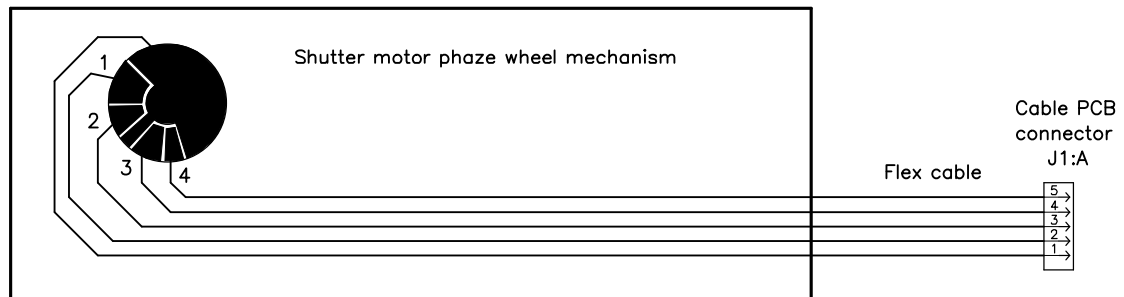


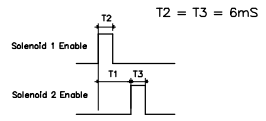
Sheet name: Front PCB CG2-3161-000		
Size: A3	Project name: Canon 5D Mark3	Revision: ver 1.0
Date: Sun Oct 18, 2015	Company name: singapore-ru.com	Author: Gradient
Filename: front_pcb.sch	Sheet: 1 of 3	



Sheet name: <b>Shutter</b>		
Size: A3	Project name: Canon 5D Mark3	Revision: ver 1.0
Date: Sun Oct 18, 2015	Company name: singapore-ru.com	
Filename: front_pcb.sch	Author: Gradient	
	Sheet: 2 of 3	

Canon 5D Mark 3

Shutter solenoid control signals for **(Tv)** mode:



	Period	T1	Overtaking
1	1000mS	990mS	10mS
1/10	100mS	99mS	1mS
1/100	10mS	9.9mS	100uS
1/1000	1000uS	980uS	20uS
1/8000	125uS	112uS	13uS

Sheet name: <b>Control</b>		
Size: A3	Project name: Canon 5D Mark3 Company name: singapore-ru.com	Revision: ver 1.0
Date: Sun Oct 18, 2015	Author: Gradient	
Filename: front_pcb.sch	Sheet: 3	of 3